

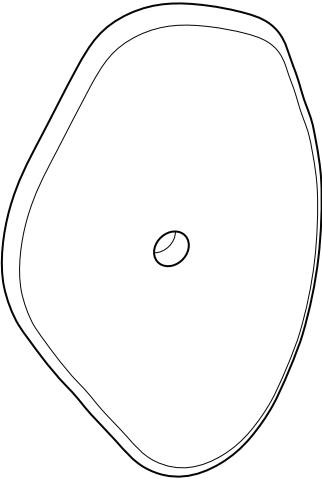
BLOB SCONCE no. 1 | Saraburi Marble Lighting



INSTALLATION GUIDE

WARNING : Shock Hazard.
Always turn off power at circuit before wiring and consult a licensed electrician.

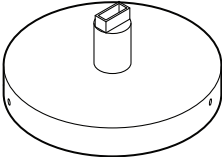
COMPONENTS



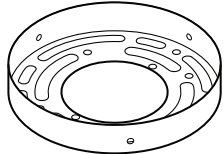
MARBLE SHADE



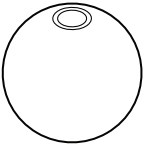
G9 LED BULB



G9 SOCKET ASSEMBLY



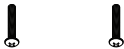
BACKPLATE



GLASS SHADE



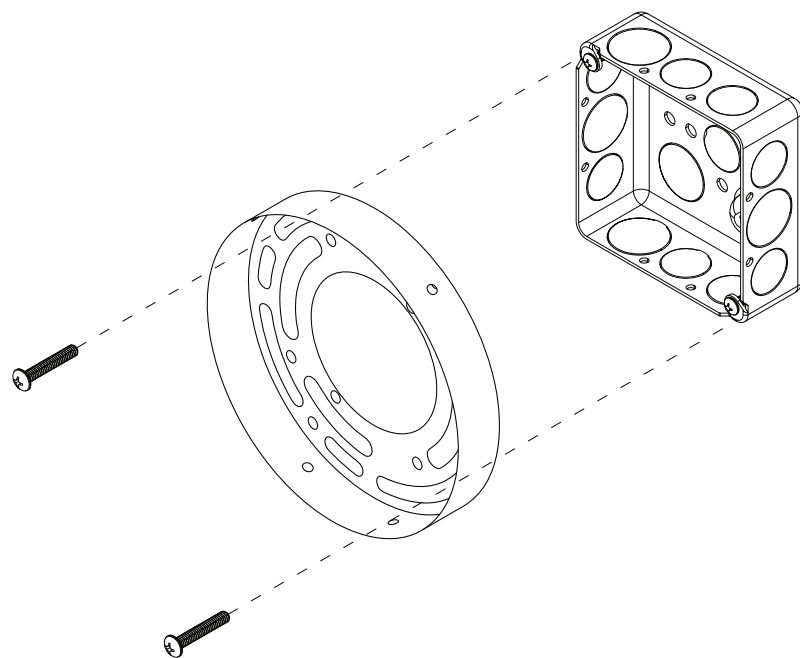
WIRE NUTS x2



MACHINE SCREWS x2

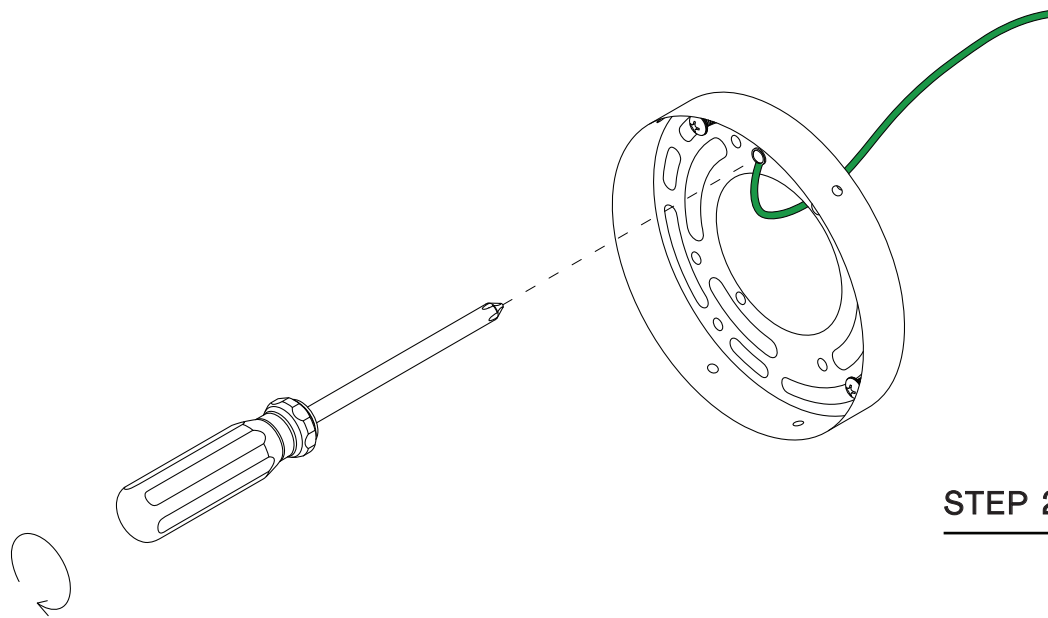


BACKPLATE SET SCREWS x3



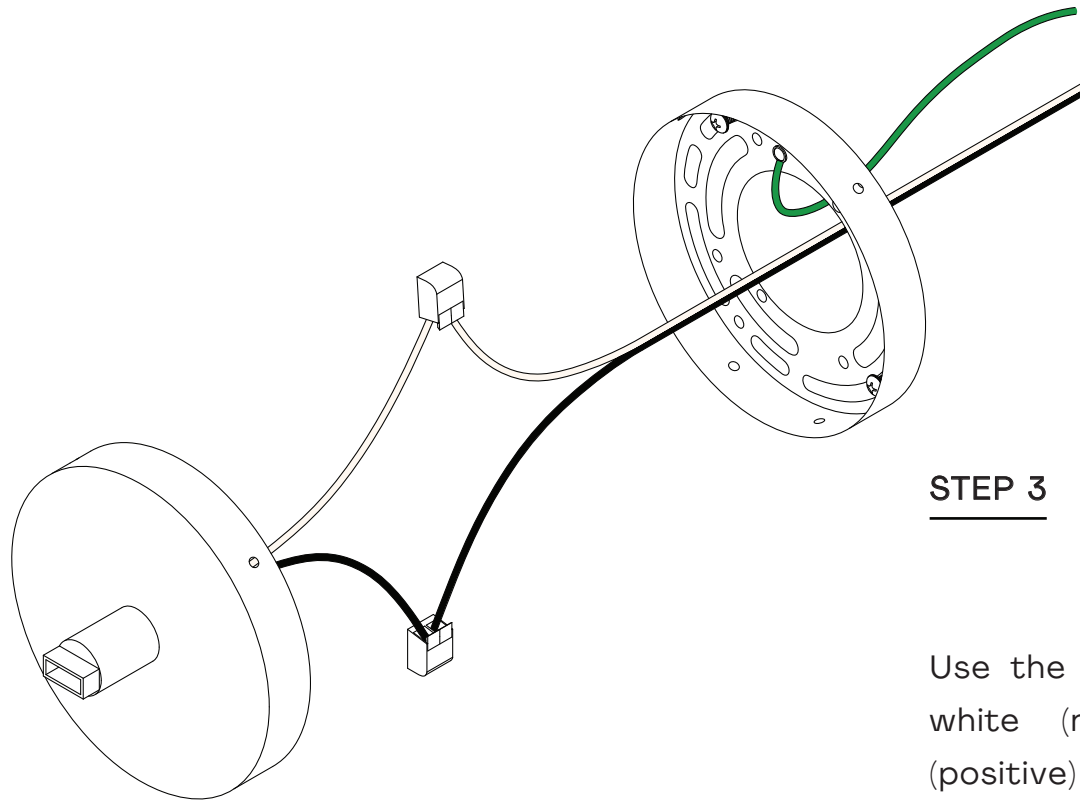
STEP 1

Use a phillips head screwdriver to attach the Backplate to the electrical box with the provided machine screws.



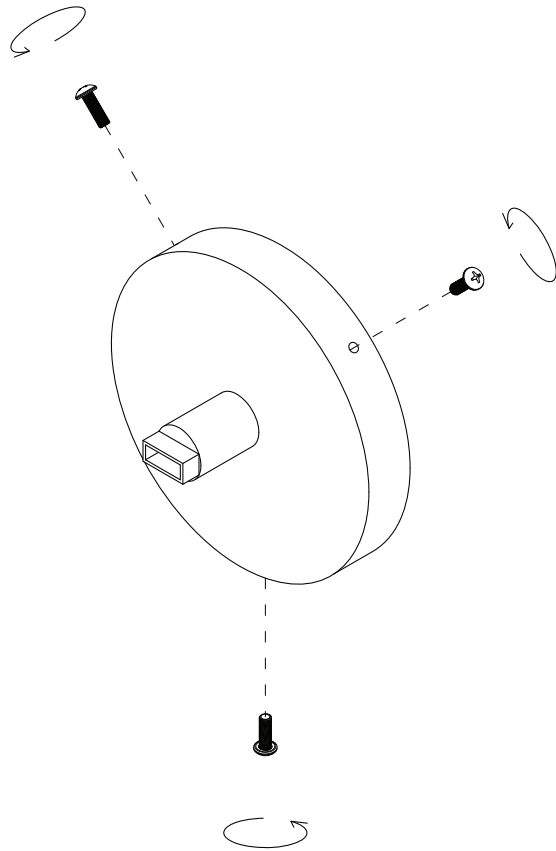
STEP 2

Secure the green (ground) wire from the wall to the green (ground) screw on the Backplate.



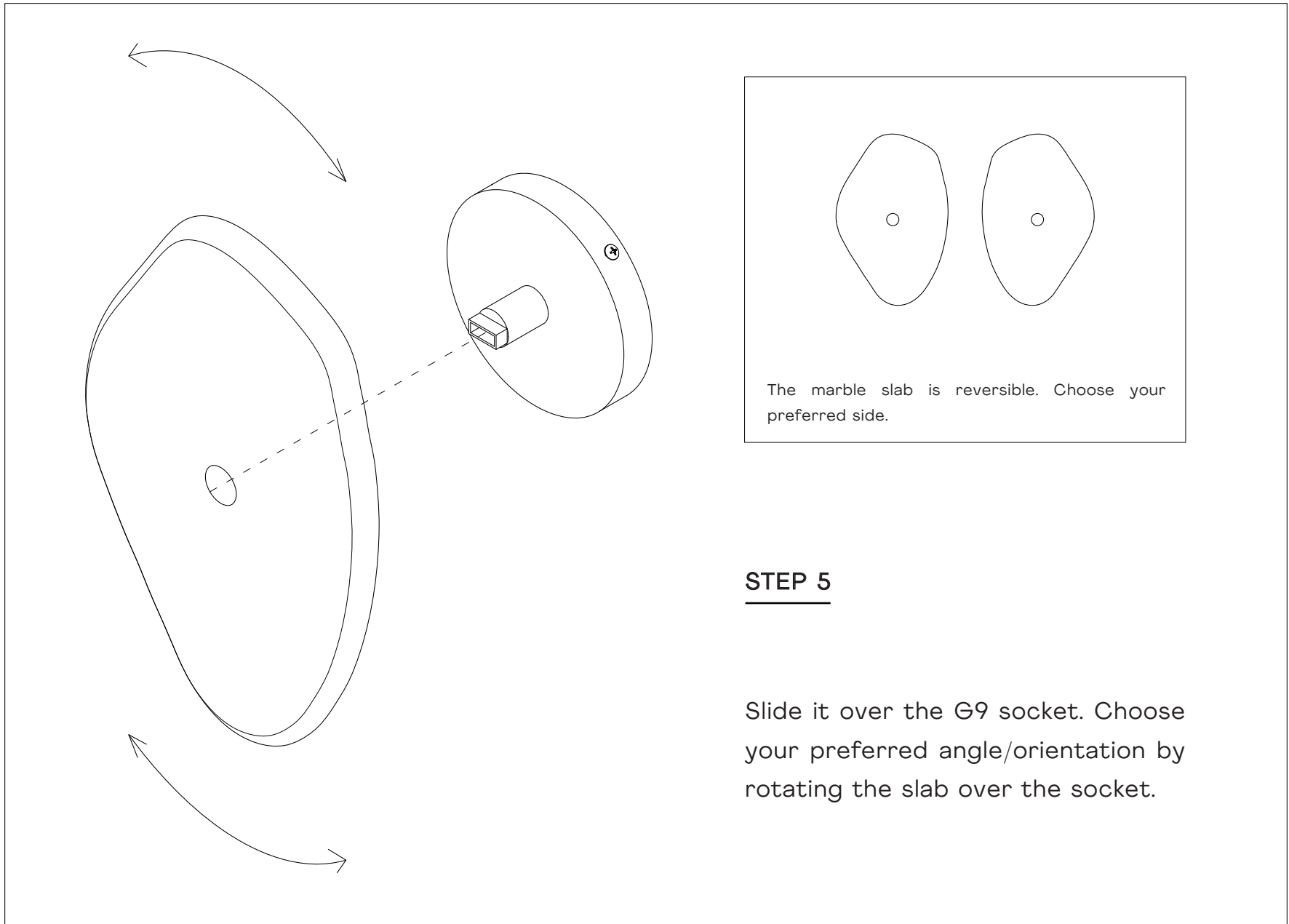
STEP 3

Use the wire nuts to connect the white (neutral) wire and black (positive) wire from the Socket Assembly with the corresponding wires in the electrical box.

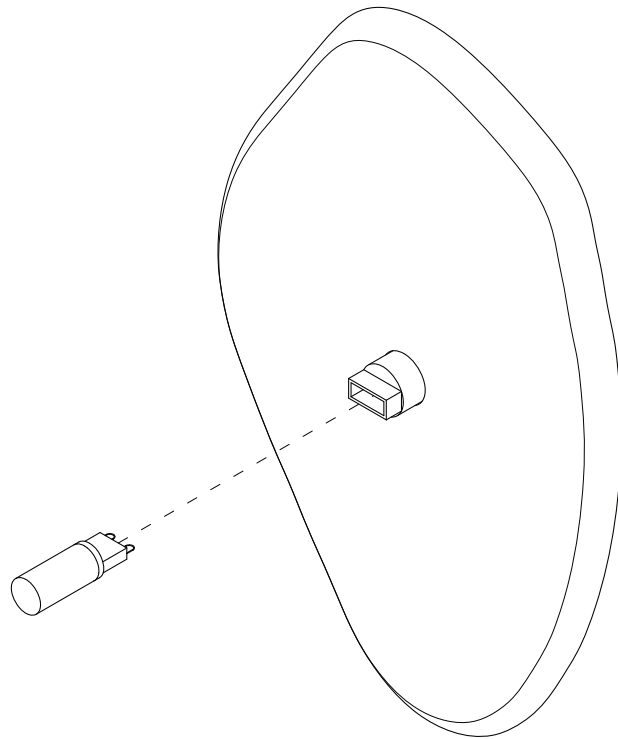


STEP 4

Align the holes of the socket assembly with the Backplate, and use a phillips head screwdriver to secure the Socket Assembly to the Backplate with the provided screws.

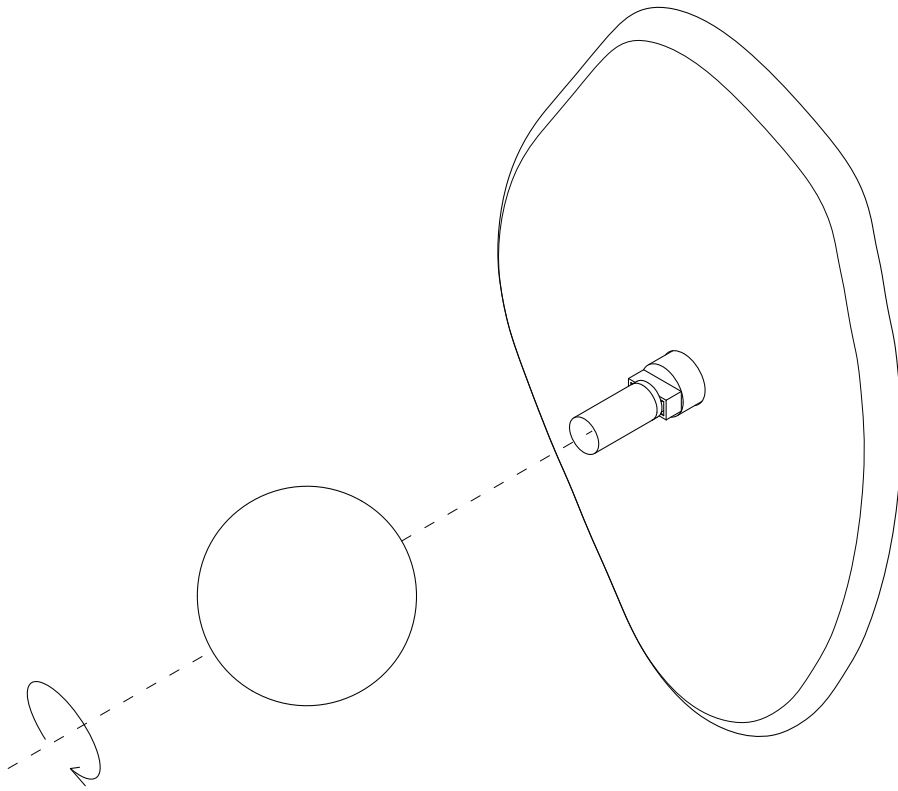


SUKRACHAND



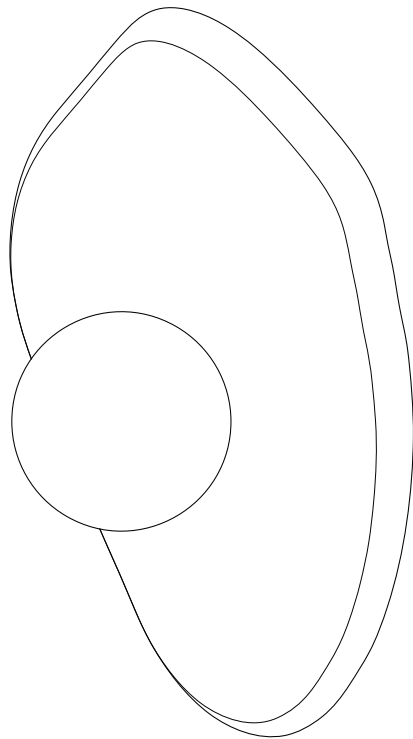
STEP 6

Insert the G9 LED Bulb.



STEP 7

Screw on the Glass Shade.



STEP 7

Tighten the assembly with the Glass Shade. You should feel enough tension to prevent the marble shade from rotating, but do not overtighten. Your Blob Sconce is now ready to be turned on!