

BLOB SCONCE no. 2 | Saraburi Marble Lighting



DESCRIPTION

Our Saraburi Marble lighting collection transforms designer Hannah Bigeleisen's hand drawn 'blob' drawings into a series of graphic wall sconces. Collaborating with the talented marble artisans from N Wisanu Marble workshop in Saraburi Province, we have enhanced Hannah's signature shapes through the rich colors of local Thai marble.

MATERIALS

Marble, Glass, Metal Backplate

BULB + SOCKET (INCLUDED)

Emery Allen G9 / 4.5W LED / 450 Lumens / 3000K

DIMMER

Compatible with LED Dimmers (Emery Allen does not recommend the use of Lutron CL 153 series dimmers)

MOUNTING

Backplate is compatible with a variety of junction boxes using 2.75" - 3.5" hole spacing

LEAD TIME

In stock marble slabs ship in 2 weeks from receipt of order. Custom or large quantities require a 10 week lead time.

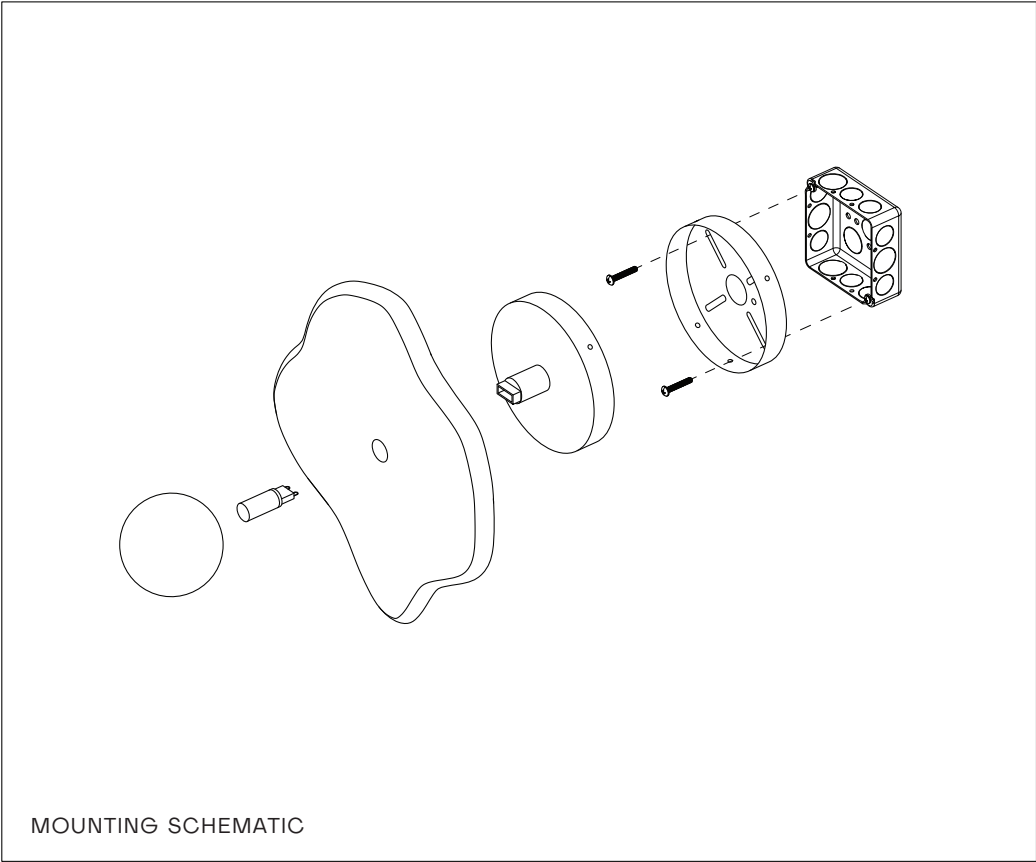
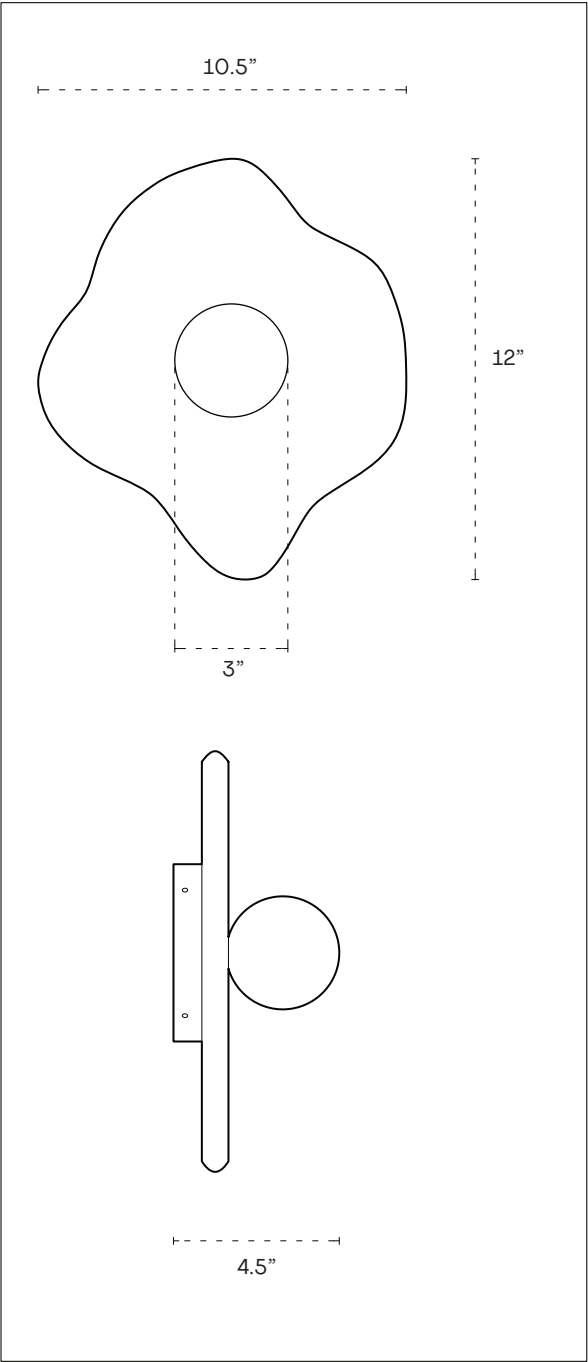
CERTIFICATIONS

Available upon request

UL listing (+\$150 per unit)

ADA (+\$50 per unit - requires the manufacturing of a custom, low profile backplate)

TECHNICAL DRAWINGS



SUKRACHAND

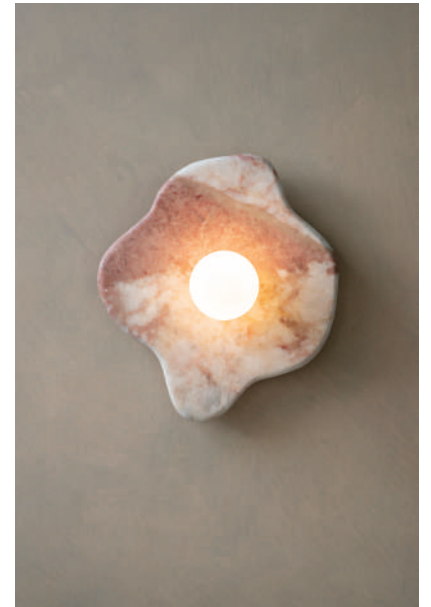
FINISH OPTIONS

Marble is a natural material and variance in color and veining should be expected.

We photograph our individual marble slabs and archive them in the product pages of our [website](#), allowing for you to choose the exact slabs you will receive for your order.

We currently offer the following finishes of Saraburi Marble for Blob Sconce no. 2:

Chocolate
Travertine
Pink
Pink and White Striped
Burgundy



SUKRACHAND