

Blob Sconce Double Bulb | Saraburi Marble Lighting



DESCRIPTION

Our Saraburi Marble lighting collection transforms designer Hannah Bigeleisen's hand drawn 'blob' drawings into a series of graphic wall sconces. Collaborating with the talented marble artisans from N Wisanu Marble workshop in Saraburi Province, we have enhanced Hannah's signature shapes through the rich colors of local Thai marble.

MATERIALS

Black and White Striped Marble, Glass, White MDF Backplate

BULB + SOCKET (INCLUDED)

Emery Allen G9 / 4.5W LED / 450 Lumens per bulb (900 lumens total) / 3000K

DIMMER

Compatible with LED Dimmers (Emery Allen does not recommend the use of Lutron CL 153 series dimmers)

MOUNTING

White MDF backplate screws/anchors directly into wall

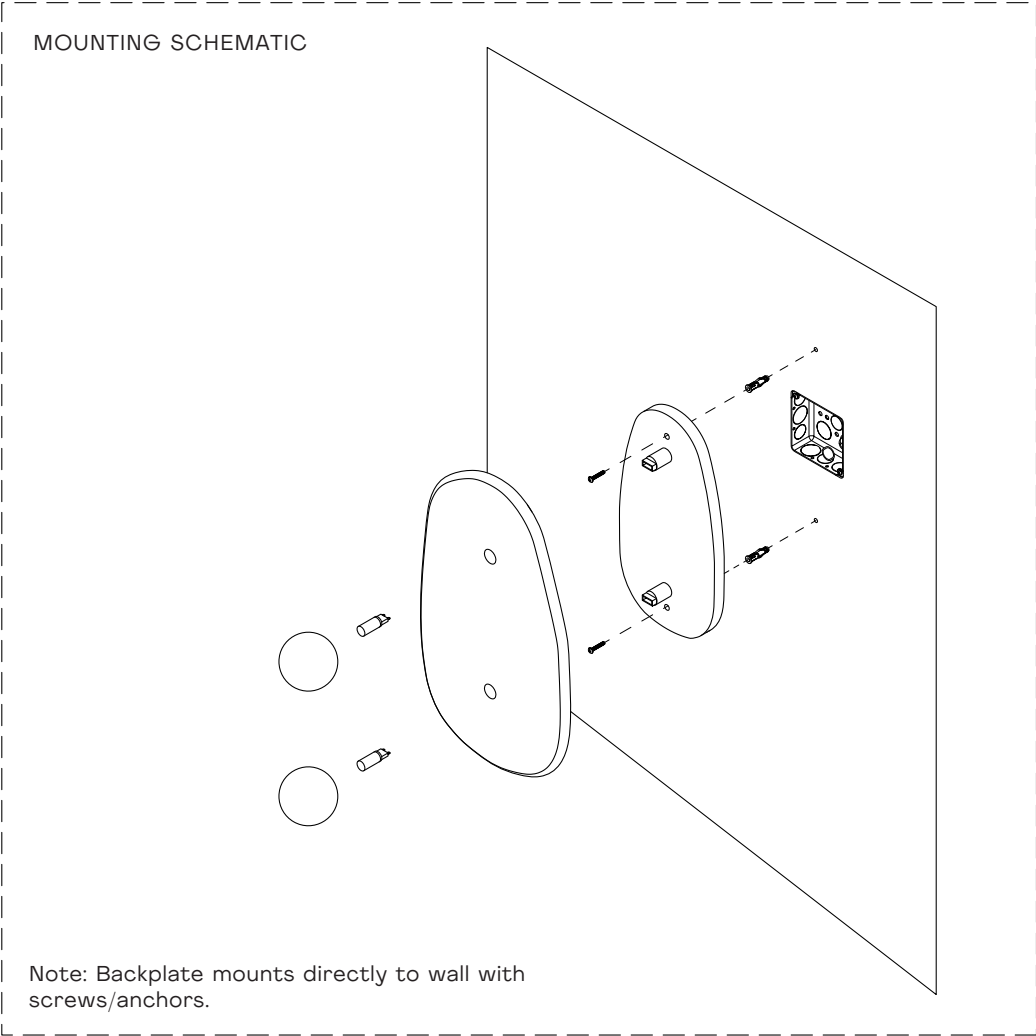
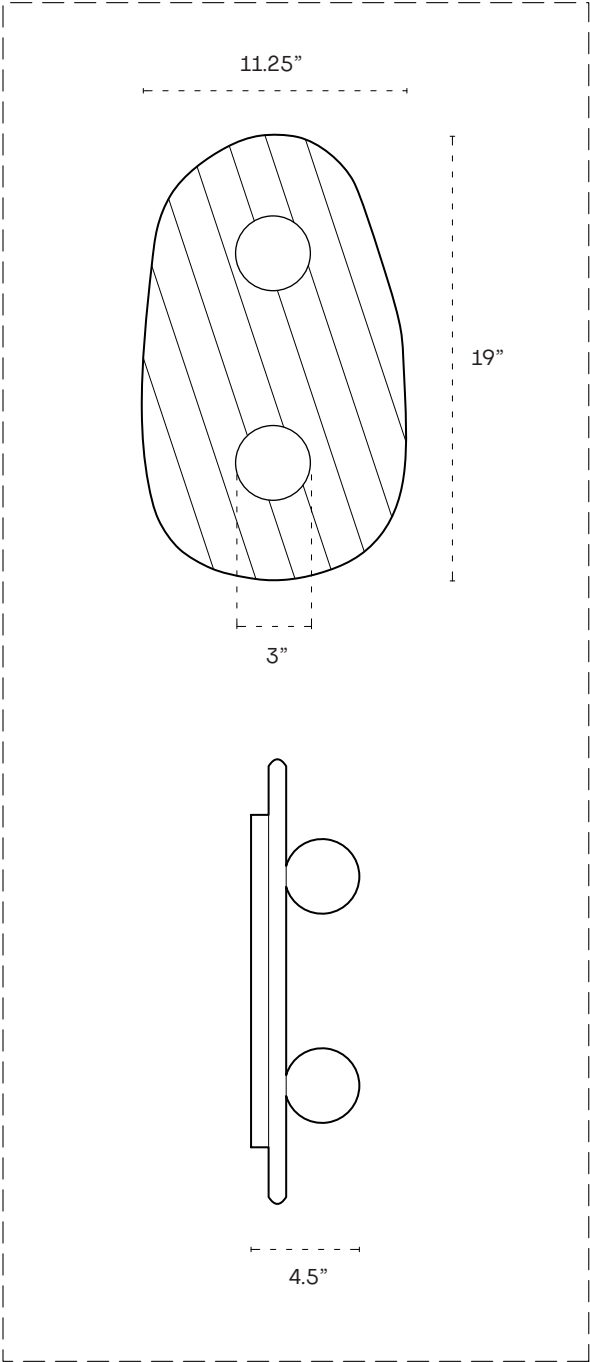
LEAD TIME

In stock marble slabs ship in 2 weeks from receipt of order. Custom or large quantities require a 10 week lead time.

CERTIFICATIONS

Due to the unique backplate mounting system, the Double Bulb sconce is not able to be UL listed (as an alternative, please view our Single Bulb sconces which are UL listable))

TECHNICAL DRAWINGS



SUKRACHAND

FINISH OPTIONS

Marble is a natural material and variance in color and veining should be expected.

We photograph our individual marble slabs and archive them in the product pages of our [website](#), allowing for you to choose the exact slabs you will receive for your order.

We currently offer the following finishes for the Double Bulb Sconce:

Black and White Striped Marble

(additional colors available upon request)



SUKRACHAND